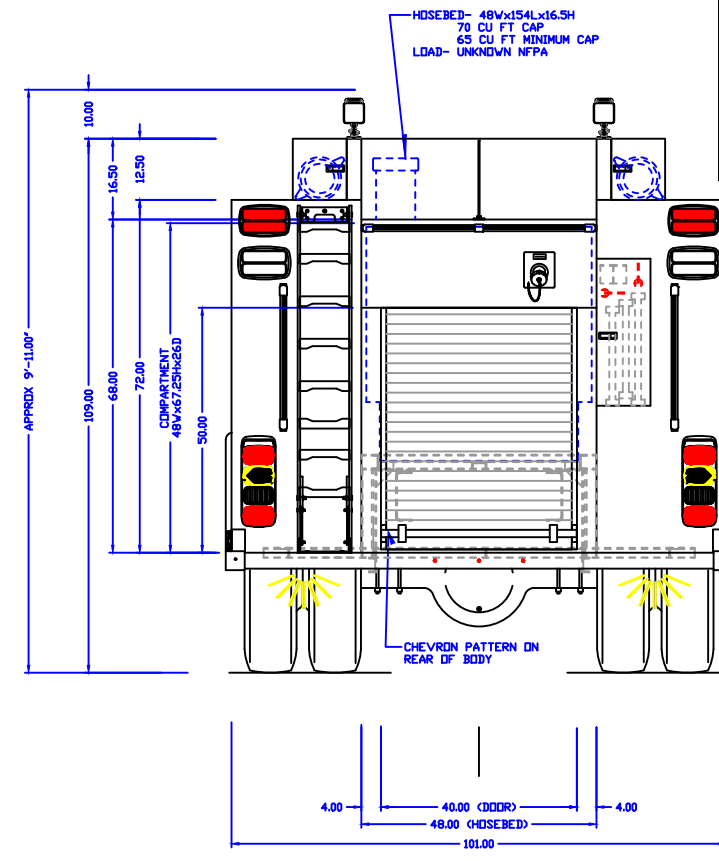
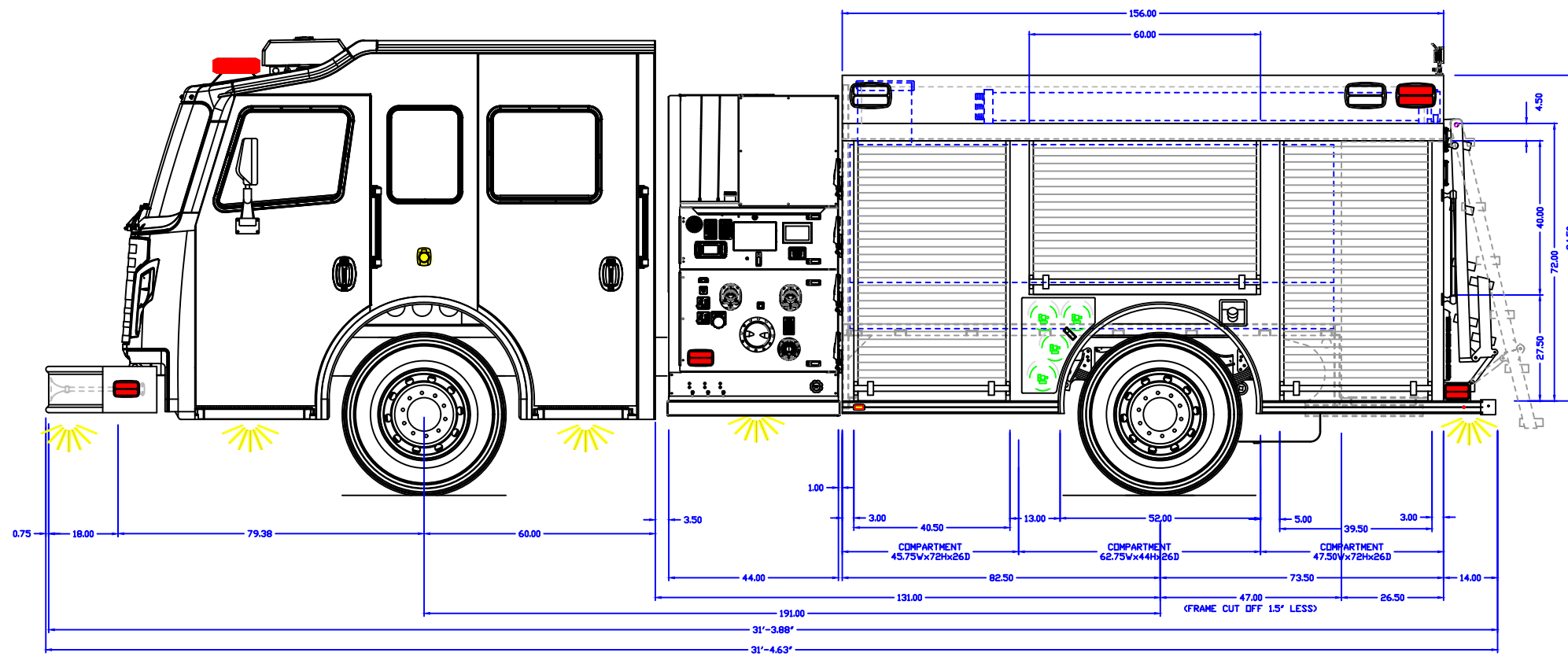


- NOTES:
1. OVERALL HEIGHT IS IN LOADED CONDITION. UNLOADED HEIGHTS MAY BE 4" ABOVE HEIGHTS SHOWN.
 2. DO NOT SCALE DRAWING.
 3. ALL DIMENSIONS ARE APPROXIMATE AND SUBJECT TO ENGINEERING CHANGES.
 4. DRAWING MAY OR MAY NOT SHOW ALL ITEMS AS DESCRIBED IN THE WRITTEN DETAIL SPECIFICATIONS.
 5. INCLUSION OF AN ITEM ON THE DRAWING DOES NOT CONSTITUTE INCLUSION OF THAT ITEM WITH THE FINAL DELIVERED UNIT.
 6. THE EFFECTIVE DOOR OPENINGS WILL BE APPROX. 2" LESS THAN THE NOTED COMPARTMENT OPENING FOR ROLL UP DOORS AND UP TO APPROX. 4" LESS FOR HINGED DOORS



INITIALS: EH
 JOB NUMBER: 19038
 DATE: 6/26/2023

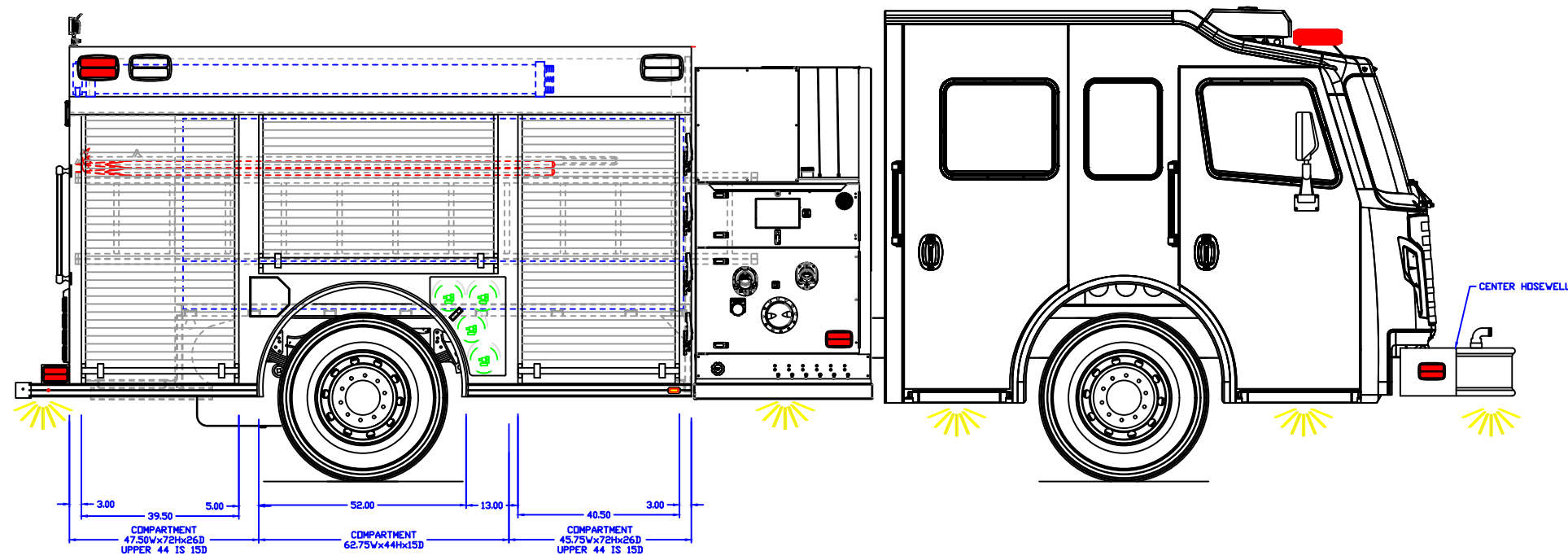
MAIN FILE: -
 DEPT: -
 DEALER: -
 PRODUCTION APPROVED

APPROVED BY: _____

CHASSIS:	GENERAL 6011
PUMP:	HALE 1500 GPM
TANK:	POLY/1000/20 (FOAM)
PANEL MATL:	STAINLESS STEEL
COMP INTERIOR:	SPATTER COAD
MAXIMUM HEIGHT	NONE
MAXIMUM LENGTH	NONE
BODY WIDTH	101"

REVISED: -	DATE: -	
REV 1: DMI	DATE: 06-26-2023	ADD HALE MODULE
DRAWN: BPC	DATE: 05-15-2023	

PROPRIETARY AND CONFIDENTIAL
 THE INFORMATION CONTAINED IN THIS DRAWING IS THE SOLE PROPERTY OF ROSENBAUER. ANY REPRODUCTION IN PART OR AS A WHOLE WITHOUT THE WRITTEN PERMISSION OF ROSENBAUER IS PROHIBITED.



19038 STOCK GENERAL



ROSENBAUER FX 1/8"
 DRAWING NUMBER: STOCK GENERAL
 REV 1