

THE BEST EQUIPMENT ADAPTS TO YOUR NEEDS



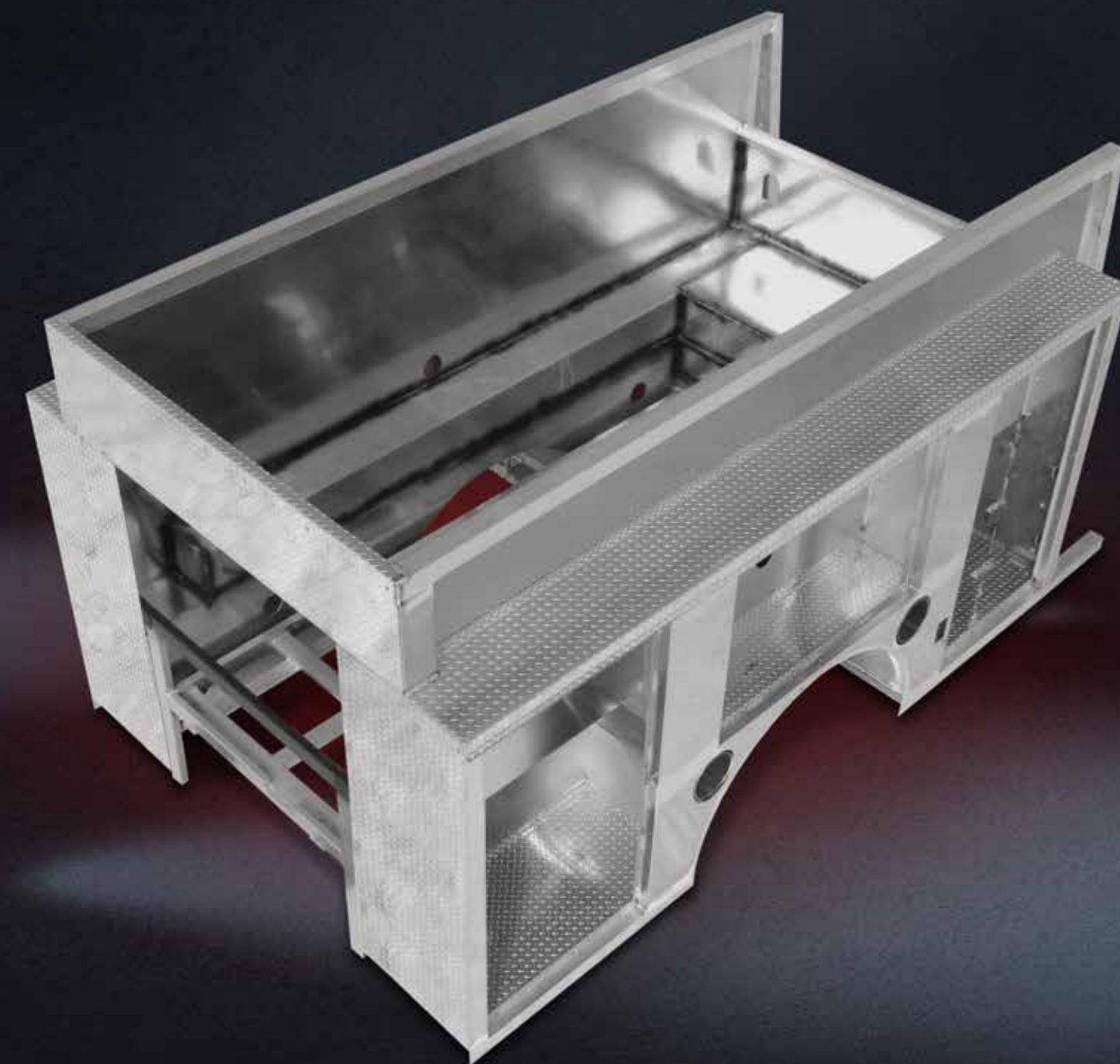
Rosenbauer FX body styles feature a wide range of compartment configurations so that you can build the truck you need. Rosenbauer also provides a wide assortment of shelves, roll-out trays, and equipment mounting provisions to keep all your equipment organized for easy access.

 **rosenbauer**

FX BODY

EXTRUDED FORMED APPARATUS BODY

WWW.ROSENBAUERAMERICA.COM



 ROSENBAUER GROUP  @ROSYFIRE  ROSENBAUERFIRE  ROSENBAUERUS

Rosenbauer South Dakota, LLC
100 Third Street
Lyons, SD 57041
605.543.5591

Rosenbauer Motors, LLC
5190 260th Street
Wyoming, MN 55092
651.462.1000

Rosenbauer Minnesota, LLC
5181 260th Street
Wyoming, MN 55092
651.462.1000

Rosenbauer Aerials, LLC
870 S Broad Street
Fremont, NE 68025
402.721.7622

ROSENBAUERAMERICA.COM | INFO@ROSENBAUERAMERICA.COM



CONTRACT #022818 | ROSENBAUER AMERICA, LLC
DBA ROSENBAUER SOUTH DAKOTA, LLC & ROSENBAUER MINNESOTA, LLC

SPACE FOR YOUR LARGEST EQUIPMENT

Flush-mounted hinged doors with stainless steel hardware allow full-width storage. Compartments can also be customized to fit your needs with shelves, roll-out trays, and equipment mounts.



DOORS DESIGNED FOR SAFETY AND CONVENIENCE

Roll-up doors give you easy access to adjustable shelves, roll-out trays, and tool boards without extending into the roadway for added safety.



WIRING YOU CAN RELY ON

Heavy gauge function and color-coded wiring, along with terminal blocks and connectors, form the basis for a reliable wiring system. Multiplexing optional.



DETAILED, PRECISE PAINT APPLICATION

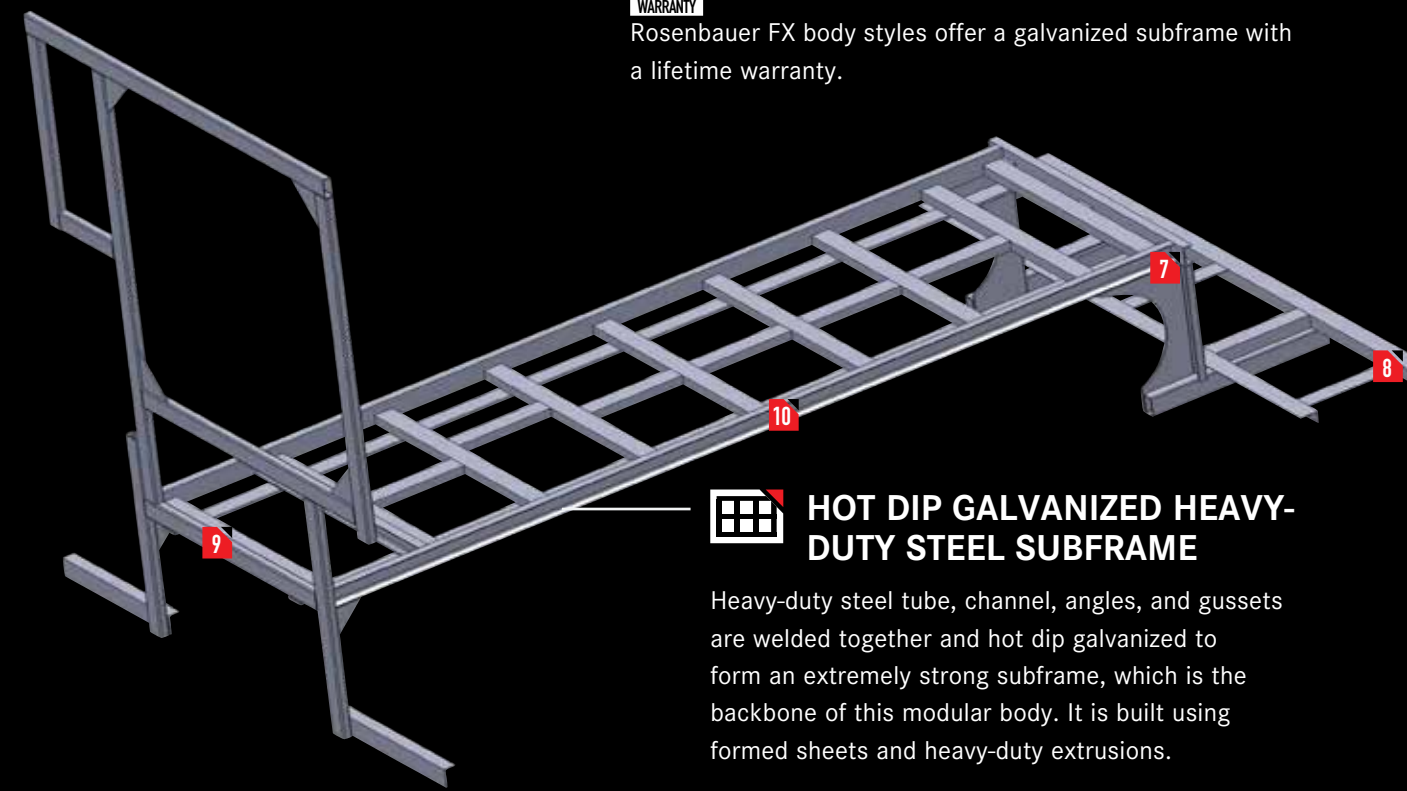
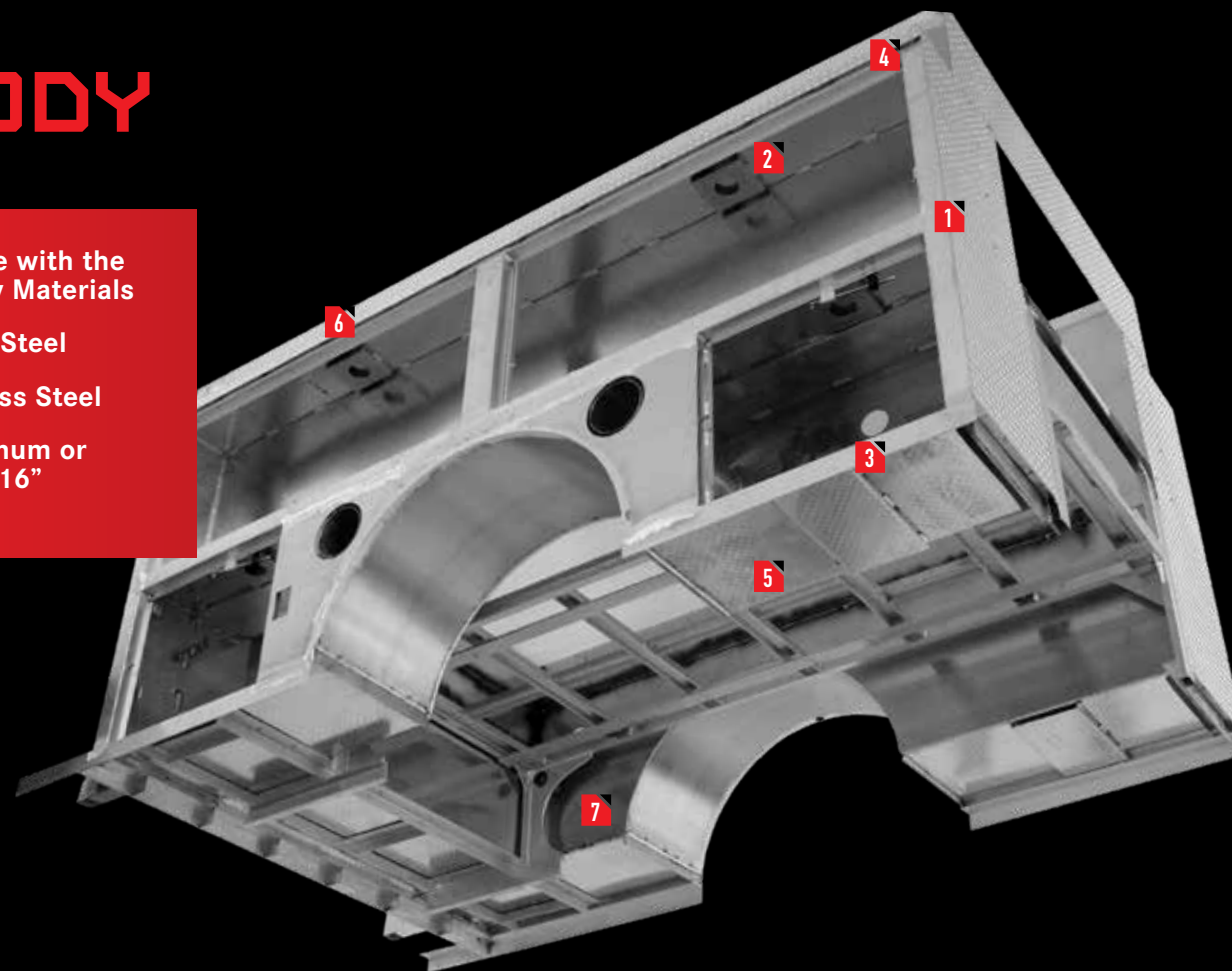
Rosenbauer's state-of-the-art paint process is environmentally controlled for precise application. Paint is mixed to create or match any shade and then applied and baked for a durable, consistent, high-gloss finish.



FX BODY

FX Bodies-Made with the Highest Quality Materials

- Galvanneal Steel
- 304 Stainless Steel
- 1/8" Aluminum or optional 3/16" Aluminum



SUBFRAME LIFETIME WARRANTY

Rosenbauer FX body styles offer a galvanized subframe with a lifetime warranty.

HOT DIP GALVANIZED HEAVY-DUTY STEEL SUBFRAME

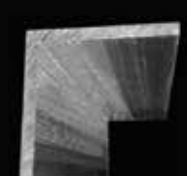
Heavy-duty steel tube, channel, angles, and gussets are welded together and hot dip galvanized to form an extremely strong subframe, which is the backbone of this modular body. It is built using formed sheets and heavy-duty extrusions.



1 Front and Back Door Post Extrusion



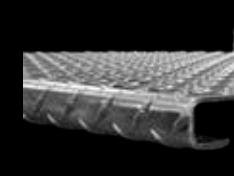
2 Top and Intermediate Door Frame Extrusion



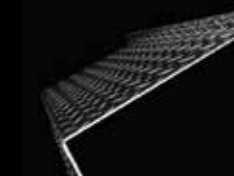
3 Angled Aluminum Body Support Extrusion



4 Main Framing Extrusion



5 .125" Interior Diamond Plate (.190" Optional)



6 .125" Diamond Plate Top Cap (.190" Optional)



7 Gusset Plate (.375" Steel)



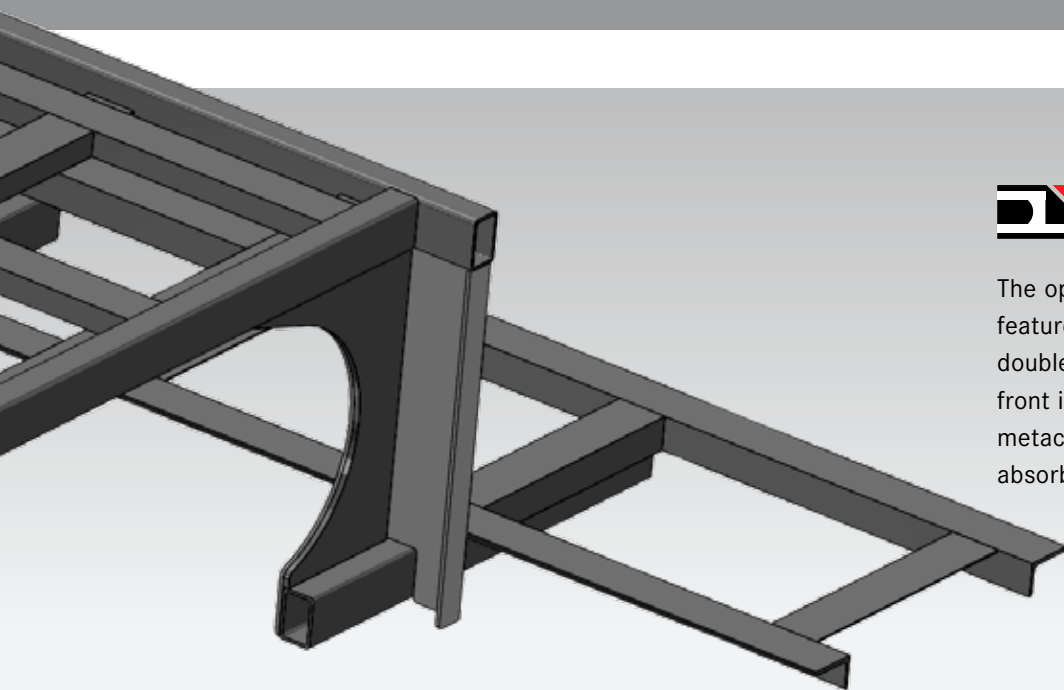
8 Angled Body Outrigger (2" x 3")



9 Steel Tubing (1.75" x 3")



10 Subframe Channel (1.75" x 3")



OPTIONAL EXTREME - DUTY SUBFRAME

The optional extreme-duty subframe features extra-heavy wall steel tubing and double plate steel gussets at the rear. The front is mounted using a specially designed metacone rubber mounting system to absorb road shock and twisting forces.



AERIAL



COMMERCIAL PUMPER-TANKER



CUSTOM PUMPER